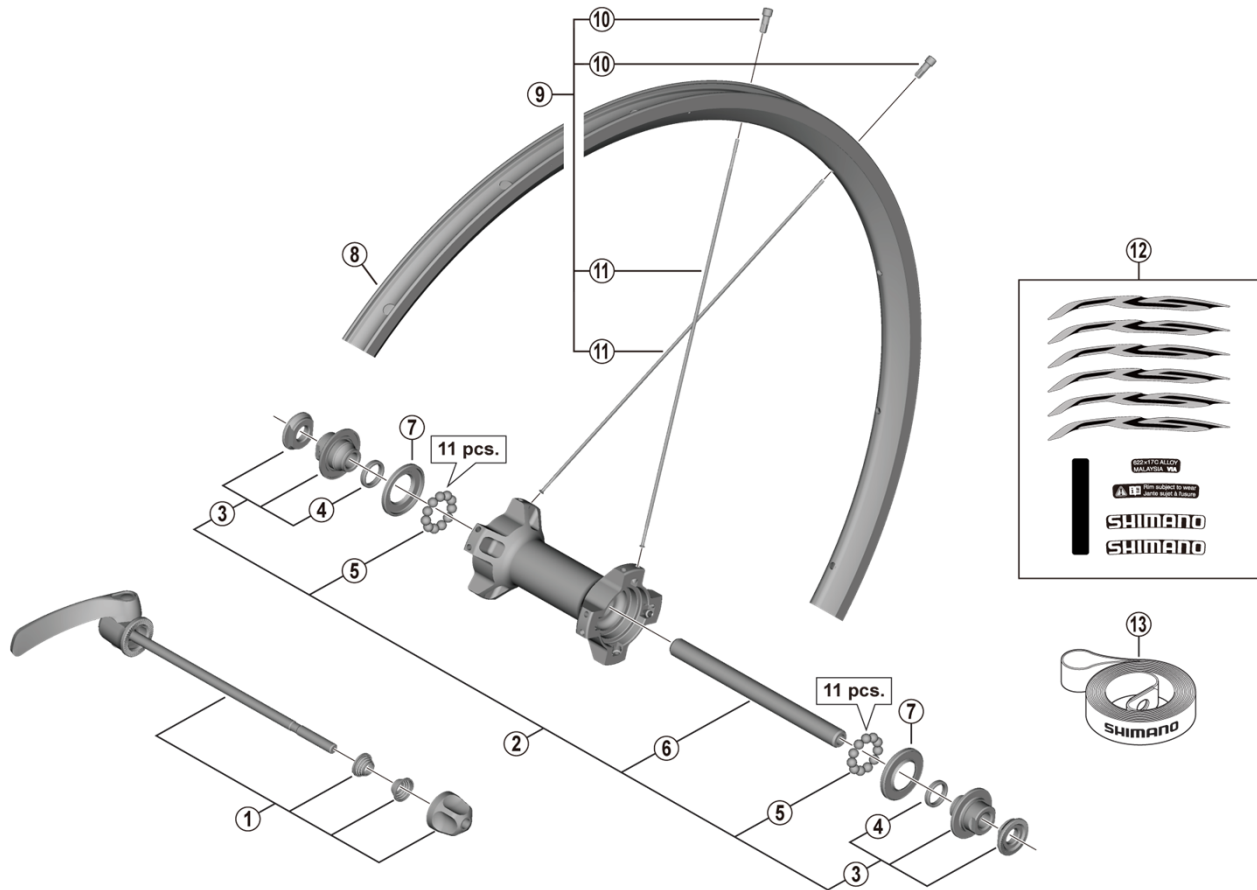


Front Wheel WH-RS300-CL-F



• Over Lock Nut Dimension: 100 mm (3-15/16")

WH-RS21-F

ITEM NO.	SHIMANO CODE NO.	DESCRIPTION	INTERCHANGEABILITY	
1	Y0F798010	Complete Quick Release 133 mm (5-1/4")		
2	Y49U98010	Complete Hub Axle	A	
3	Y49U98020	Lock Nut Unit	A	
4	Y2T804000	O-ring	A	
5	Y4BB98030	Steel Ball (3/16") 22 pcs.	A	
6	Y21C03100	Hub Axle M9 x 108 mm (4-1/4")	A	
7	Y2TA06000	Seal Ring	A	
8	-	Rim {16H}		
9	-	Spoke Unit {Spoke (282 mm x 16 pcs) / Nipple (16 pcs.)}		
10	Y012Z4075	Nipple	A	
11	Y012AN827	Spoke (282 mm)		
12	Y0F798020	Rim Sticker Unit (Standard)		
12	Y0F798030	Rim Sticker Unit (Red)		
12	Y0F798040	Rim Sticker Unit (Blue)		
12	Y0F798050	Rim Sticker Unit (Orange)		
12	Y0F798060	Rim Sticker Unit (Green)		
12	Y0F798070	Rim Sticker Unit (Sky Blue)		
12	Y0F798080	Rim Sticker Unit (Hi-Tech Gray)		
13	EWHRIMTAPERA	Rim Tape	A	

A: Same parts.

B: Parts are usable, but differ in materials, appearance, finish, size, etc.

Absence of mark indicates non-interchangeability.

Specifications are subject to change without notice.

Jul.-2018-4369

© Shimano Inc. ITP

SHIMANO